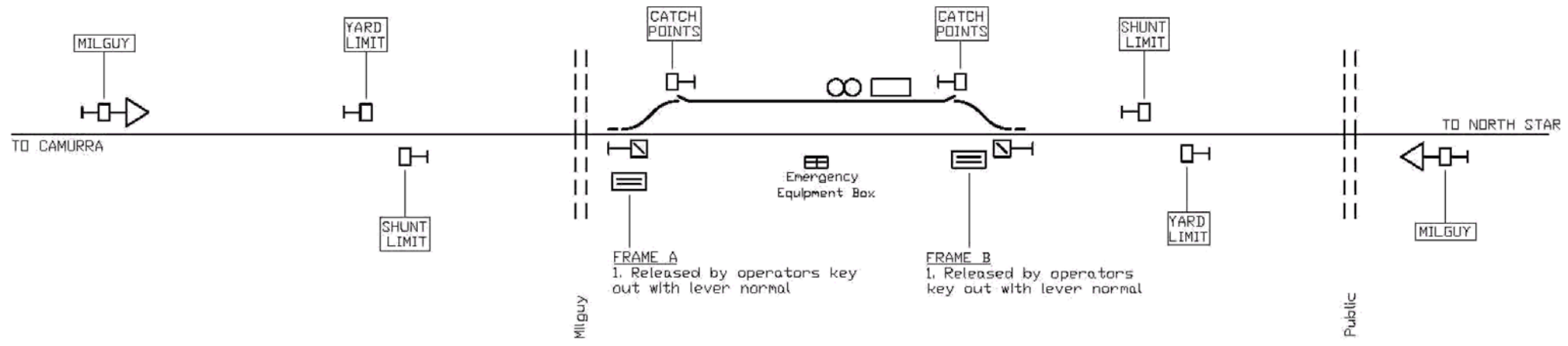


703km 704km 705km 706km 707km 708km 709km 710km 711km

703.251km 705.300km 705.812km 706.547km 706.531km 708.046km 708.859km 709.354km 710.958km 711.351km

MILGUY
706.643km



SECTION: CAMURRA - MILGUY: TRAIN ORDER WORKING

SECTION: MILGUY - CROOBLE: TRAIN ORDER WORKING

<table border="1"> <tr><td>3</td><td>ENRFD</td><td>TOW Production - 200909</td></tr> <tr><td>2</td><td>SAREC</td><td>Implementation of TOW software v.1 - Update to A.R. Rail</td></tr> <tr><td>1</td><td>BRABP</td><td>Implementation of TOW software</td></tr> <tr><td>Rev</td><td>Chg</td><td>Responsible Party</td></tr> </table>		3	ENRFD	TOW Production - 200909	2	SAREC	Implementation of TOW software v.1 - Update to A.R. Rail	1	BRABP	Implementation of TOW software	Rev	Chg	Responsible Party	<table border="1"> <tr><td>CR</td><td>MC</td><td>Design</td><td>C.RYAN</td><td>21/09/10</td></tr> <tr><td>CR</td><td>MC</td><td>Drawn</td><td>C.RYAN</td><td>21/09/10</td></tr> <tr><td>Rev</td><td>App</td><td>Standard</td><td>PHOENIX</td><td>21/09/10 (C.R. Ryan)</td></tr> </table>		CR	MC	Design	C.RYAN	21/09/10	CR	MC	Drawn	C.RYAN	21/09/10	Rev	App	Standard	PHOENIX	21/09/10 (C.R. Ryan)	<p>AUSTRALIAN RAIL TRACK CORPORATION LTD</p>		<p>186 DD 09</p>		<p>Sheet No. 1 of 1</p>	
3	ENRFD	TOW Production - 200909																																		
2	SAREC	Implementation of TOW software v.1 - Update to A.R. Rail																																		
1	BRABP	Implementation of TOW software																																		
Rev	Chg	Responsible Party																																		
CR	MC	Design	C.RYAN	21/09/10																																
CR	MC	Drawn	C.RYAN	21/09/10																																
Rev	App	Standard	PHOENIX	21/09/10 (C.R. Ryan)																																
<p>Scale: NOT TO SCALE</p>				<p>Date Certified</p>		<p>TITLE MILGUY DRIVERS DIAGRAM</p>		<p>1 of 1</p>																												