

549.143km

551.143km

551.643km

553.313km

553.443km

554.943km

555.448km

555.566km

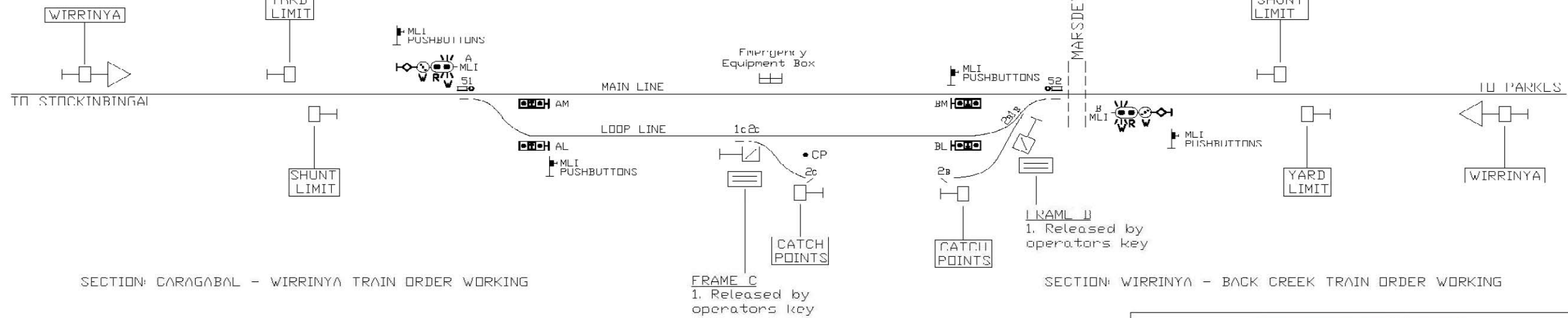
555.578km

557.248km

557.748km

559.748km

WIRRINYA  
555.313km



SECTION: CARAGABAL - WIRRINYA TRAIN ORDER WORKING

FRAME C  
1. Released by operators key

SECTION: WIRRINYA - BACK CREEK TRAIN ORDER WORKING

UTS RAIL
JOB NO: AS00009
20 APR 10
VERSION DATE

<b>ARTC</b> AUSTRALIAN RAIL TRACK CORPORATION LTD			
WIRRINYA DRIVERS DIAGRAM			
<b>UTS Rail</b>		093 DD 01	
	NAME	DATE	SIGNATURE
DESIGN:	C. ELLIOTT	20/04/2010	
DRAWN:	C. ELLIOTT	20/04/2010	
REVIEW:	M. LYONS	21/04/2010	
VERIFIED:	T. MCI ARCHIAN	28/04/2010	