

SIGNAL	ROUTE	DESTINATION	IND
164	CSA	NECK	N
	CSB	THROUGH ROAD L	TL
163	CSA	THROUGH ROAD L	TL
	PS1	SIDING	→
163	PS2	SIDING	→

SIGNAL	ROUTE	DESTINATION	IND
175	CSA	LOCO STORAGE	LS
	CSB	THROUGH ROAD L	TL
176	CSA	THROUGH ROAD L	TL
	PS1	SIDING	→
176	PS2	SIDING	→

SIGNAL	ROUTE	DESTINATION	IND
182	CSA	THROUGH ROAD L	TL
	CSB	LOCO STORAGE	LS

SIGNAL	ROUTE	DESTINATION	IND
190	A	DOWN MAIN	GREEN
	CSA	DOWN MAIN	DM
	4D	BORAL SIDING	BS

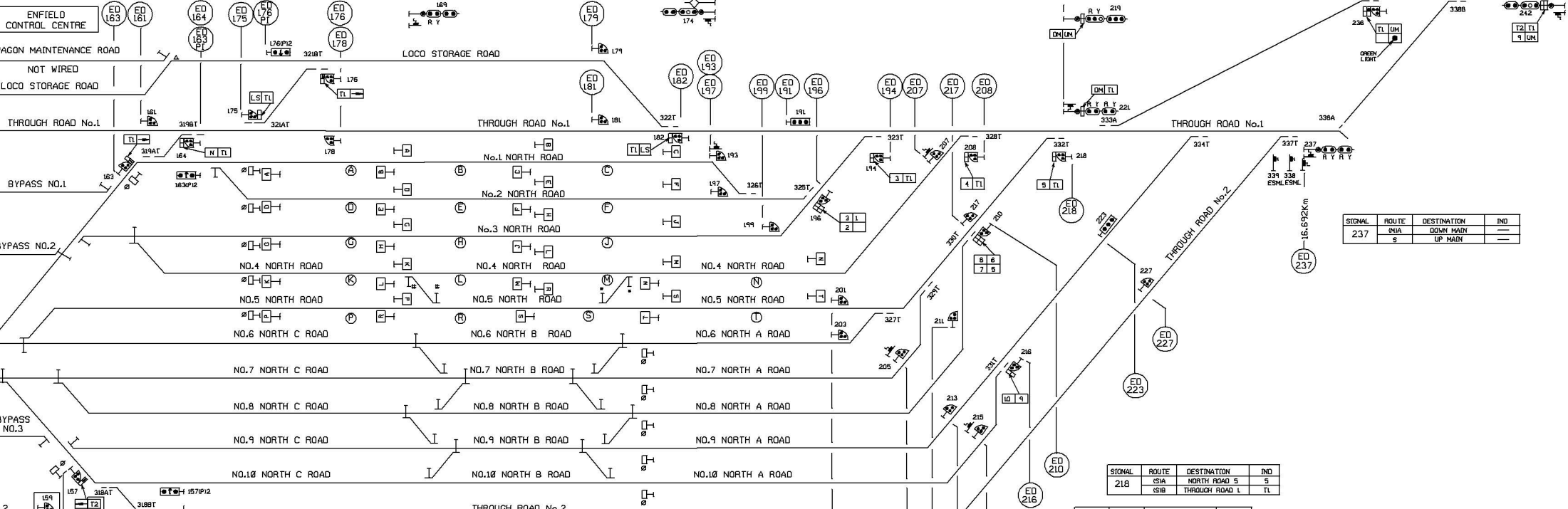
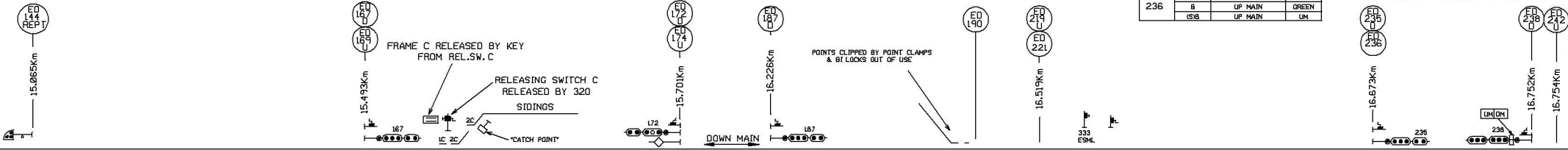
SIGNAL	ROUTE	DESTINATION	IND
219	CSA	DOWN MAIN	-
	CSB	DOWN MAIN	DM
	CSB	UP MAIN	UM

SIGNAL	ROUTE	DESTINATION	IND
238	CSA	UP MAIN	UM
	CSB	UP MAIN	UM
	CSB	DOWN MAIN	DM

SIGNAL	ROUTE	DESTINATION	IND
221	CSA	DOWN MAIN	-
	CSA	DOWN MAIN	DM
	CSB	THROUGH ROAD L	TL

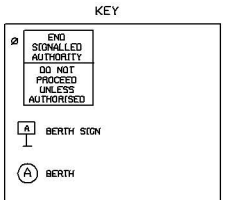
SIGNAL	ROUTE	DESTINATION	IND
242	CSA	THROUGH ROAD 2	T2
	CSB	NORTH ROAD 4	4
	CSB	THROUGH ROAD L	TL
	CSB	UP MAIN	UM

SIGNAL	ROUTE	DESTINATION	IND
236	B	UP MAIN	GREEN
	CSB	UP MAIN	UM



SIGNAL	ROUTE	DESTINATION	IND
160	CSA	THROUGH ROAD 2	T2
	CSB	NECK	N
157	PS1	SIDING	←
	PS2	SIDING	→
	CSB	THROUGH ROAD 2	T2
159	CS	THROUGH ROAD 2	

POINTS CLIPPED AND LOCKED NORMAL



SIGNAL	ROUTE	DESTINATION	IND
194	CSA	NORTH ROAD 3	3
	CSB	THROUGH ROAD L	TL
196	CSA	NORTH ROAD 3	3
	CSB	NORTH ROAD 2	2
	CSB	NORTH ROAD 1	1

SIGNAL	ROUTE	DESTINATION	IND
210	CSA	NORTH ROAD 8	8
	CSB	NORTH ROAD 7	7
	CSB	NORTH ROAD 6	6
	CSB	NORTH ROAD 5	5

SIGNAL	ROUTE	DESTINATION	IND
216	CSA	NORTH ROAD 10	10
	CSB	NORTH ROAD 9	9

SIGNAL	ROUTE	DESTINATION	IND
208	CSA	NORTH ROAD 4	4
	CSB	THROUGH ROAD L	TL

SIGNAL	ROUTE	DESTINATION	IND
237	CSA	DOWN MAIN	-
	S	UP MAIN	-