



# HEATHCOTE JUNCTION TO KILMORE EAST

## SIGNALLING DIAGRAM

No. 10/09

(SUPERSEDES No. 86/08)

Showing Signal and Interlocking Arrangements to come into use on a date to be fixed by Circular which will be issued by:  
- the Manager Incidents & Safeworking V/Line  
and the Operations Support Officer North/South ARTC

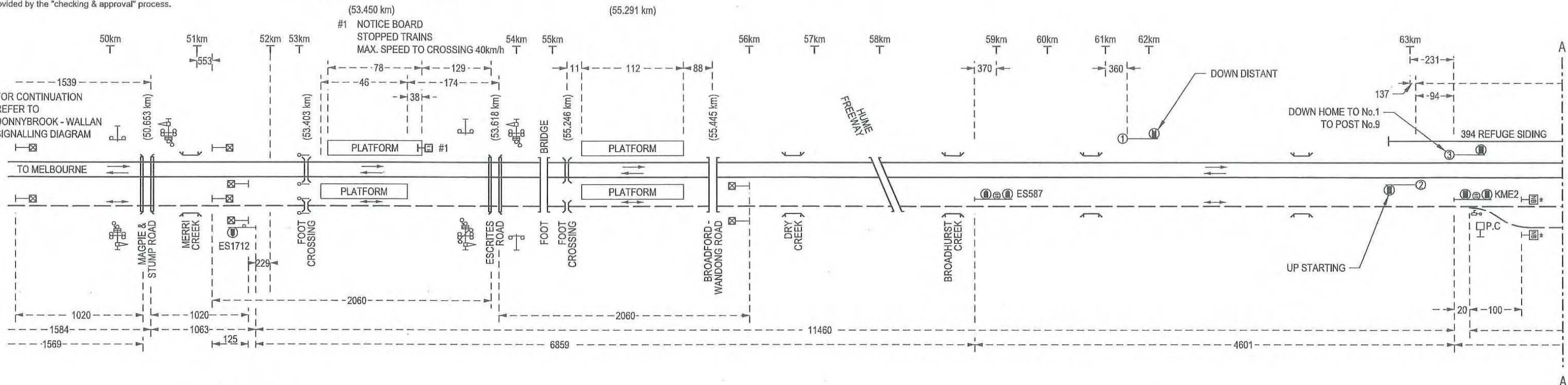
D.BENNETT  
Acting Operations Manager North/South  
ARTC

ANTHONY HENWOOD  
Manager Incidents & Safeworking V/Line  
25/2/10

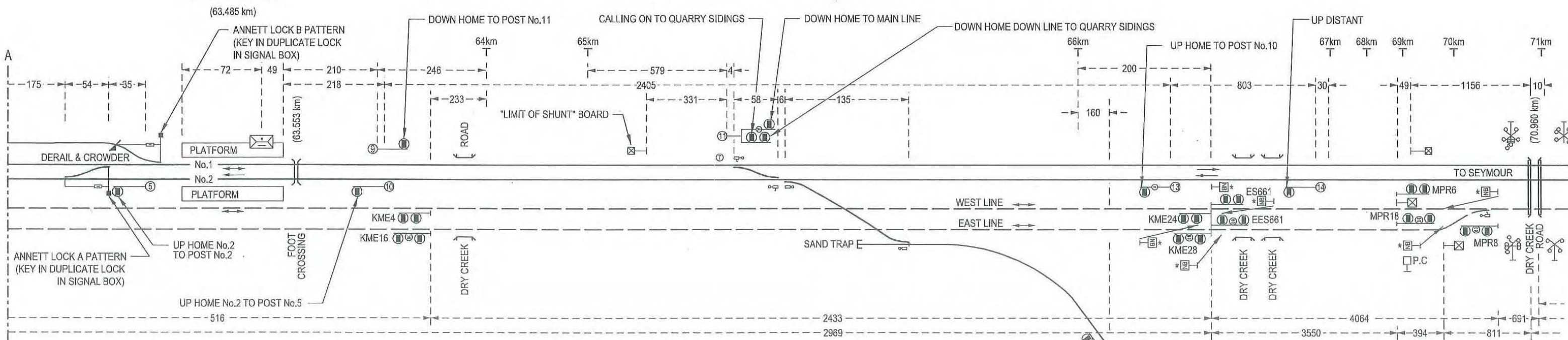
ARTC does not approve the drawing, but accepts the drawing based on evidence provided by the "checking & approval" process.

### HEATHCOTE JUNCTION

### WANDONG



### KILMORE EAST



#### LEGEND:

- All dimensions are in metres
- Siding dimensions indicate standing room clear of crossing & adjacent tracks
- Catch shown thus:
- Derailed shown thus:
- Derailer and Crowder shown thus:
- East or West line signage Notice Board shown thus:
- Level Crossing Track Circuit Indicator Board shown thus:
- Level Crossing Predictor Indicator Board shown thus:
- Point Lever shown thus:
- Notice Board shown thus:
- Point Clip Box shown thus:
- P.C.

FROM QUARRY SIDING TO UP LINE  
TOWARDS POST No.10 OR TO DOWN  
LINE TOWARDS "LIMIT OF SHUNT" BOARD  
DEPARTING TRAINS  
NOT TO PASS THIS POINT UNLESS SIGNAL 12 AT PROCEED

FOR CONTINUATION  
REFER TO  
BROADFORD - TALLAROOK  
SIGNALLING DIAGRAM