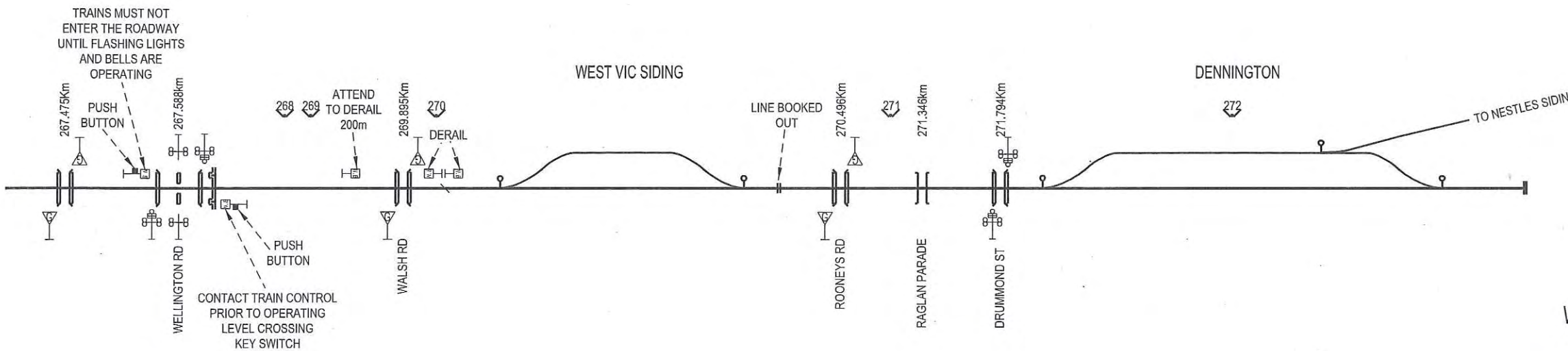
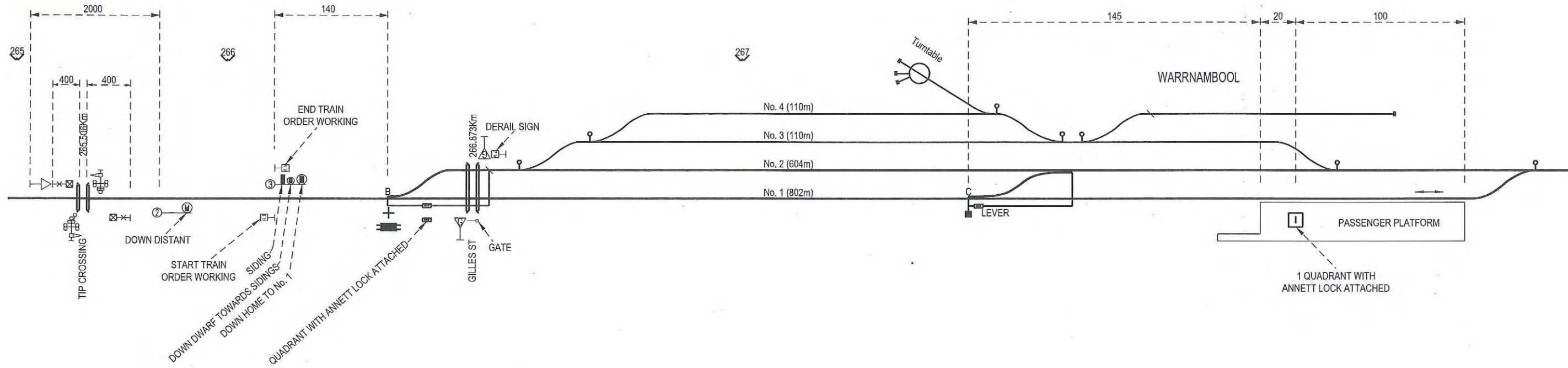


CONTINUED ON
PANMURE TO
SHERWOOD PARK
SIGNALLING DIAGRAM



WARRNAMBOOL TO DENNINGTON
SIGNALLING DIAGRAM No: 26/12
(SUPERSEDES 28/11)

Showing Signal and Interlocking Arrangements to come into use on a date which will be issued by the Manager Systems and Safeworking

[Signature]
R. CAPPER
MANAGER SYSTEMS AND SAFEWORKING

26TH APRIL 2012